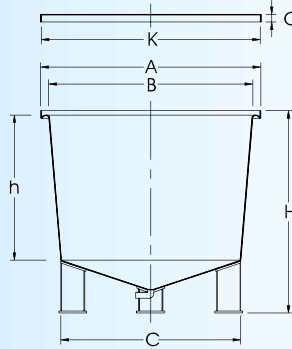


Pharmaceutical Tank

COT-E

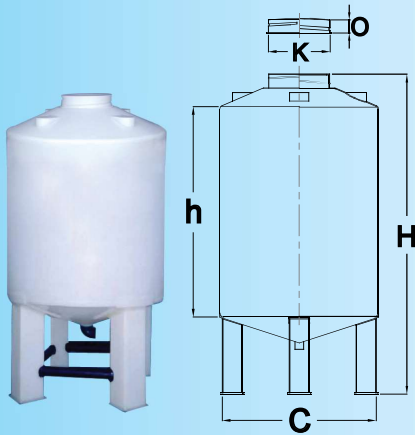


COT-F

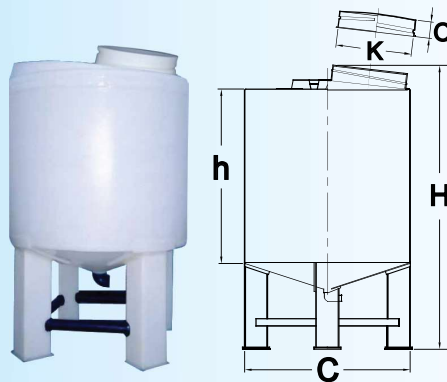


Tank								Lid			Approx. Total Weight (kg)	
Part Number	Capacity (Litre)	Approx. Dimension (mm)						Part Number	Approx. Dimension (mm)			
		A	B	C	H	h	Thk.		K	O	Thk.	
COT200E-M122	200	760	700	560	730	705	4.0	CN0760A-M2X5	760	50	2.5	-
COT500E-M134	200	760	700	560	730	705	4.5	CN1100A-M4X6	1100	40	3.0	-
COT200A-M121	200	760	700	560	730	705	6.0	CN0760A-M2X5	760	50	2.5	-
COT200A-M125	200	760	700	560	730	705	8.0	CN1100A-M4X6	1100	40	3.0	-

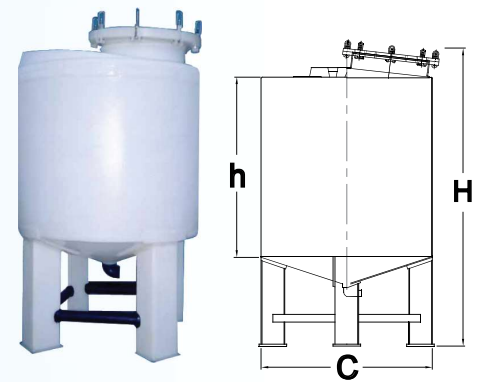
CET-A



CET-B



CET-D



Tank								Lid			Approx. Total Weight (kg)	
Part Number	Capacity (Litre)	Approx. Dimension (mm)						Part Number	Approx. Dimension (mm)			
		A	B	C	H	h	Thk.		K	O	Thk.	
CET200B-M125	200	-	-	560	1,010	710	5.0	CT0150B-HX29	150	40	2.0	14.18
CET500A-M145	500	-	-	900	1,220	740	5.0	CT0395A-M1X8	395	90	3.0	34.70
CET500B-M145	500	-	-	900	1,175	740	5.0					39.70
CET500B-M140		6.0	47.70									
CET500B-M158	500	-	-	900	1,255	740	7.5	CT0395A-M1X8	395	90	3.0	51.00
CET500D-M162	500	-	-	900	1,255	740	6.0					59.00
CET500D-M160	500	-	-	900	1,255	740	7.5	CT0395A-M1X8	395	90	3.0	59.00