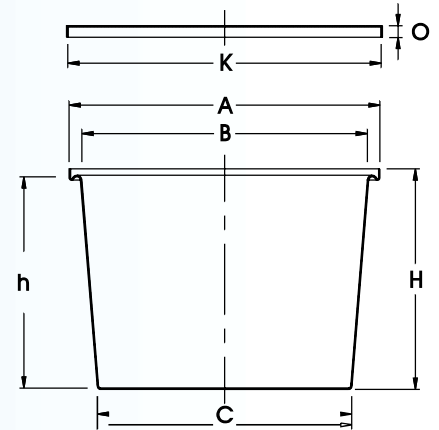


COT-A



TIS 1379-2551



Tank								Lid				Approx. Total Weight (kg)
Part Number	Capacity (Litre)	Approx. Dimension (mm)						Part Number	Approx. Dimension (mm)			
		A	B	C	H	h	Thk.		K	O	Thk.	
COT040A-M113	40	520	420	330	360	335	3.5	-	-	-	-	2.00
COT040A-M3X3							4.0					2.20
COT150A-M6X6	150	700	650	570	610	580	4.0	-	-	-	-	5.50
COT150A-M7X6							4.5					6.50
COT150A-M9X6							6.0					8.50
COT150A-M122							7.5					11.00
COT200A-M118	200	760	700	560	730	705	4.0	CN0760A-M2X5	760	50	2.5	8.40
COT200A-M8X6							4.5					8.90
COT200A-M121							6.0					11.40
COT200A-M125							8.0					15.40
COT280A-M119	280	1,080	1,010	900	430	390	4.0	-	-	-	-	8.00
COT280A-M110							4.5					9.00
COT280A-M123							6.0					12.00
COT280A-M127							8.0					16.00
COT350A-M121	350	870	310	750	790	755	4.0	CN0870A-M3X4	870	45	3.0	12.30
COT350A-M122							4.5					13.30
COT350A-M125							6.0					16.30
COT350A-M120							8.0					21.30
COT500A-M128	500	1,100	1,020	900	780	740	5.5	CN1100A-M4X6	1,100	40	3.0	20.50
COT500A-M129							6.0					21.50
COT500A-M136							8.0					28.50
COT500A-M142							10.0					34.50
COT900A-M136	900	1,340	1,280	1,010	860	820	6.0	-	-	-	-	25.00
COT900A-M141							7.0					30.00
COT900A-M145							8.0					34.00
COT900A-M153							10.0					42.00
COT1K0A-M139	1,000	1,420	1,360	1,250	830	780	6.0	-	-	-	-	28.00
COT1K0A-M144							7.0					33.00
COT1K0A-M149							8.0					38.00
COT1K0A-M158							10.0					47.00
COT1K5A-M149	1,500	1,630	1,550	1,460	950	910	6.0	-	-	-	-	38.00
COT1K5A-M155							7.0					44.00
COT1K5A-M161							8.0					50.00
COT1K5A-M174							10.0					63.00